

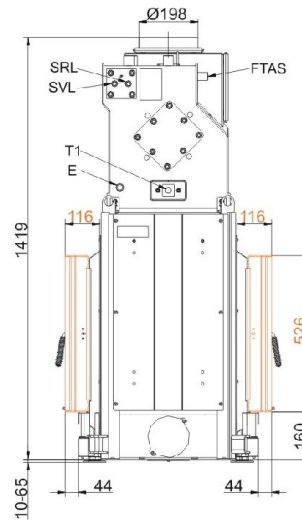
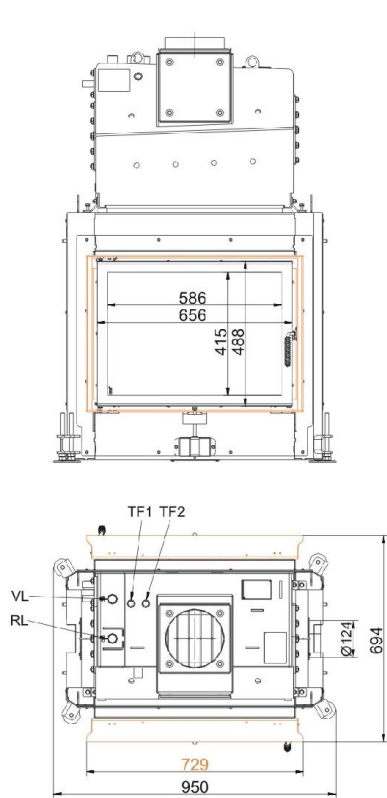
Stil-Tunnel 51/67 mit Kesselaufsatz

State: 03.12.2014



BRUNNER[®]
made in germany

Dimension sheet | **Stil-Tunnel 51/67 mit Kesselaufsatz**



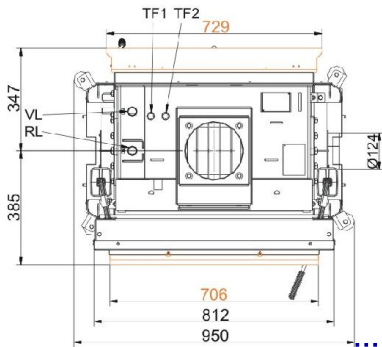
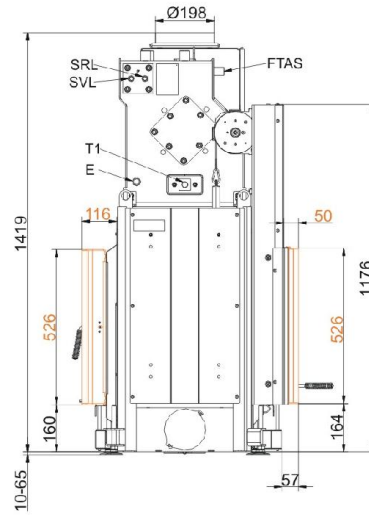
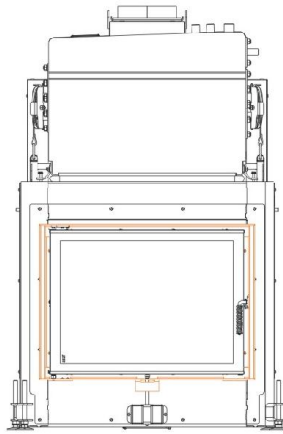
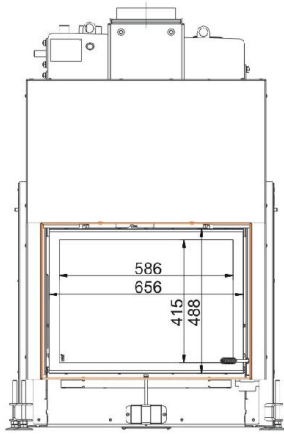
- VL supply 1"
- RL return boiler 1"
- E drain 1/2"
- SVL supply cooling pipe outlet
- SRL return cooling pipe outlet
- FTAS socket for thermometer cooling
- TF1 socket 1/2" for thermometer
- TF2 socket 1/2" for thermometer

... side opening/side opening with mounting frame

- VL supply 1"
- RL return boiler 1"
- E drain 1/2"
- SVL supply cooling pipe outlet
- SRL return cooling pipe outlet
- FTAS socket for thermometer cooling
- TF1 socket 1/2" for thermometer
- TF2 socket 1/2" for thermometer

... side opening/side opening with door frame

Dimension sheet | **Stil-Tunnel 51/67 mit Kesselaufsatz**



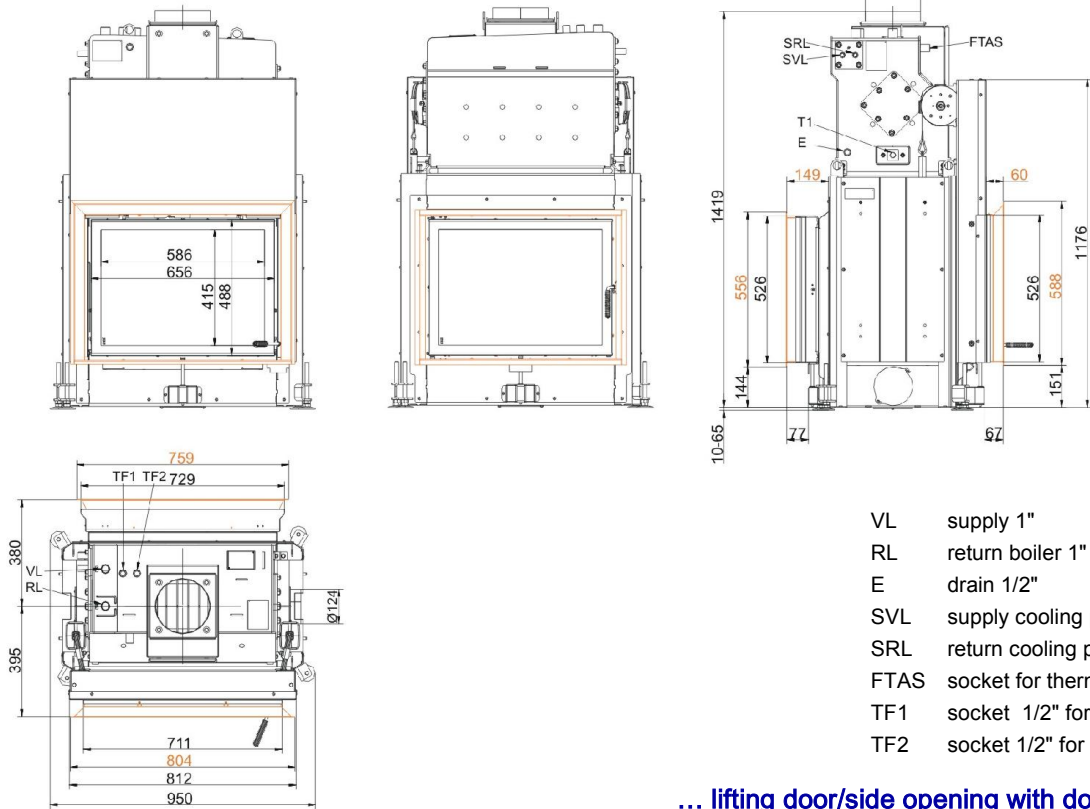
... lifting door/side opening with mounting frame 50 mm/mounting frame

- VL supply 1"
- RL return boiler 1"
- E drain 1/2"
- SVL supply cooling pipe outlet
- SRL return cooling pipe outlet
- FTAS socket for thermometer cooling
- TF1 socket 1/2" for thermometer
- TF2 socket 1/2" for thermometer

- VL supply 1"
- RL return boiler 1"
- E drain 1/2"
- SVL supply cooling pipe outlet
- SRL return cooling pipe outlet
- FTAS socket for thermometer cooling
- TF1 socket 1/2" for thermometer
- TF2 socket 1/2" for thermometer

... lifting door/side opening with mounting frame 70 mm/mounting frame

Dimension sheet | **Stil-Tunnel 51/67 mit Kesselaufsatz**



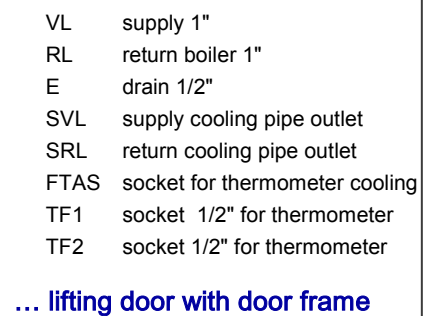
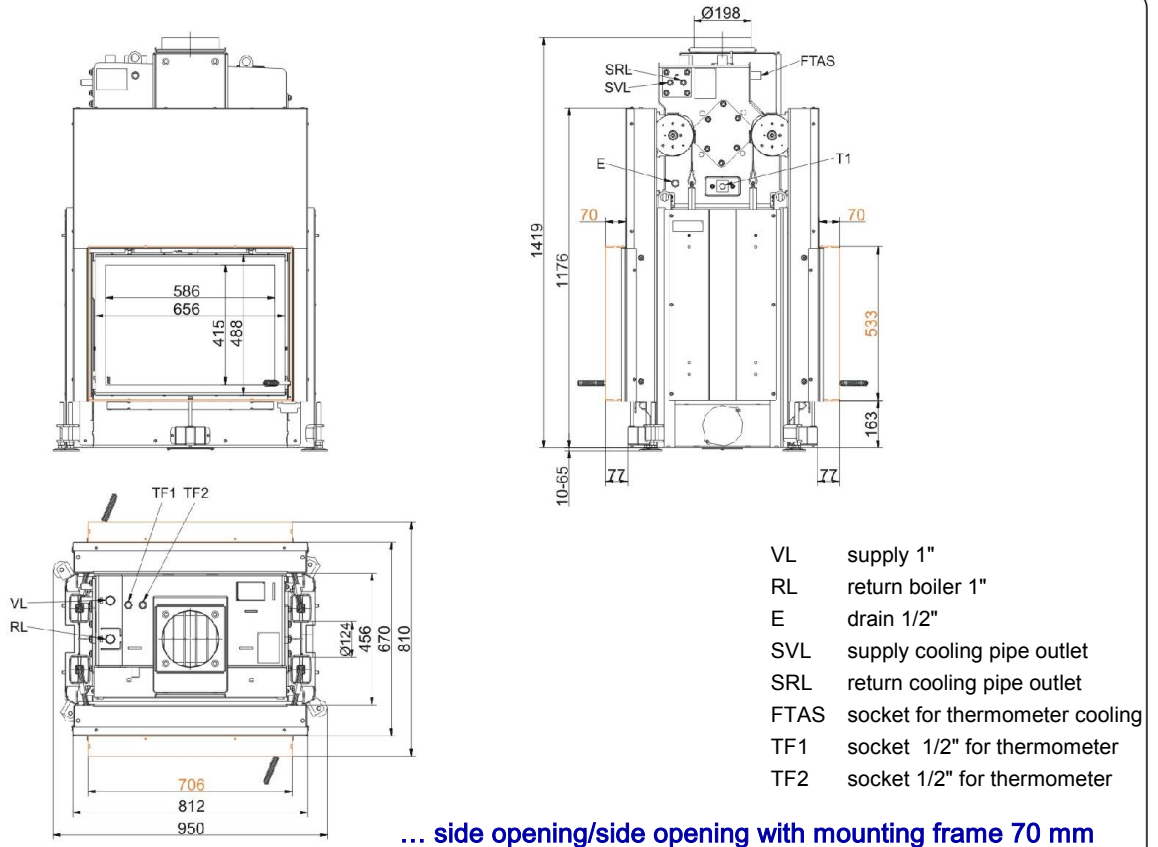
- VL supply 1"
- RL return boiler 1"
- E drain 1/2"
- SVL supply cooling pipe outlet
- SRL return cooling pipe outlet
- FTAS socket for thermometer cooling
- TF1 socket 1/2" for thermometer
- TF2 socket 1/2" for thermometer

... lifting door/side opening with door frame

- VL supply 1"
- RL return boiler 1"
- E drain 1/2"
- SVL supply cooling pipe outlet
- SRL return cooling pipe outlet
- FTAS socket for thermometer cooling
- TF1 socket 1/2" for thermometer
- TF2 socket 1/2" for thermometer

... side opening/side opening with mounting frame 50 mm

Dimension sheet | **Stil-Tunnel 51/67 mit Kesselaufsatz**



Planning and installation

Stil-Tunnel 51/67 mit Kesselaufsatz

Tested according to		EN 13229 W	EN 13229 W
Data for functional demonstration			
Rated heat power	kW	14,5	-
Firewood consumption	kg/h	4,1	6,5
Combustion performance	kW	17	27
Flue gas mass flow	g/s	15	22
Outlet temperature (before heating surface)	°C	-	-
Flue gas temperature after			
attached steel smoke hood	°C	-	-
adjoining cast iron radiator (GNF10)	°C	-	-
accumulation rings (MAS) ¹⁾	°C	-	-
adjoining ceramic accumulator ²⁾	°C	-	-
accumulation stones (MSS) ²⁾	°C	-	-
water boiler	°C	210	250
Necessary supply pressure	Pa	12	15
Combustion air consumption	m ³ /h	40	80
Combustion air connection Ø	mm	125	125
Heat distribution			
Insert / heating surface	%	15 / -	15 / -
Glass (single / double)	%	50 / 45	50 / 45
Boiler	%	35 - 40	35 - 40
Cross-section of gratings for max. warm air power			
Supply air	cm ²	500 / /	500 / /
Warm air	cm ²	500 / /	500 / /
Space inside oven chamber			
Distance to oven chamber wall	cm	8	8
Distance to floor	cm	-	-
Heat insulation without / with ³⁾ air gratings			
Wall	cm	16 / 12	16 / 12
Floor	cm	2 / 2	2 / 2
Ceiling	cm	28 / 20	28 / 20
Brick lining of protected walls	cm	10	10
Water boiler data			
max. operating pressure	bar	3	3
max. flow temperature	°C	100	100
Water volume	litres	43	43
Connections flow / return	inch	1	1
Weight			
Fireplace + burning chamber	kg	239 + 118 + 67	
meets requirement limit values for			
Germany / Austria / Switzerland / Norway		1.BImSchV (Stufe 2) / 15a BVG / LRV / -	

1) Throttle flap recommended

2) Approximate value, must be calculated eventually

3) Values with air gratings, stove casing is heat conducting

Ulrich Brunner GmbH
Zellhuber Ring 17 -18
D-84307 Eggenfelden
Phone: +49 / (0)87 21 / 7 71-0
Fax: +49 / (0)87 21 / 7 71-100
info@brunner.eu | www.brunner.eu



BRUNNER products are offered and sold only by qualified dealers and service centres.
Subject to technical and assortment changes. Errors excepted. (12/14)